



Slotted Drain Catch Basin System

Armtec's slotted drain is a convenient and economical solution to effectively remove surface water from flat, paved surfaces

Slotted Drain

Armtec's Slotted Drain is a linear catch basin system that effectively removes runoff from flat, paved surfaces. Approved by Department of Transportation Quebec and widely accepted in Canada, as it provides an aesthetic and efficient answer to storm drainage problems.

Advantages

1. Improved Drainage Efficiency
2. Low Cost
3. Better Safety
4. Not Affected by the Freeze/Thaw Cycle
5. Easy Maintenance
6. Easy Installation/Shallow excavations
7. Extremely Durable
8. Approved by Department of Transportation Quebec and widely accepted in Canada

Available Options

- Removable plug or welded
- CSP stub connection for PVC, HDPE, or other connection
- Opening and cleaning of 150mm-356mm
- Variable grid height (400 mm maximum height)
- Width: single, double (welded) or removable
- Pipe coating is available in galvanized* and Aluminized Type II with galvanized slotted drain

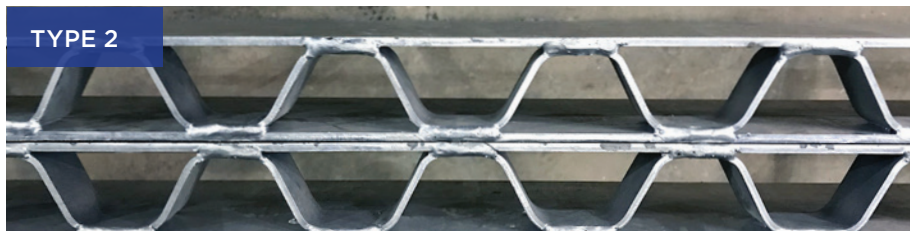
*200 mm and 250 mm dia pipe only available in galvanized.

TYPICAL APPLICATIONS

- Installations that have no slope, steep slope, or require shallow burial
- Highway medians
- Airports
- Parking lots
- Sport stadiums
- Where curbs are undesirable



Slotted Drain pipes are available in 200 mm to 600 mm diameter and is installed to grade in a high slump concrete with minimum 10 MPa strength. The concrete running surface is 1/4" above the grate elevation.

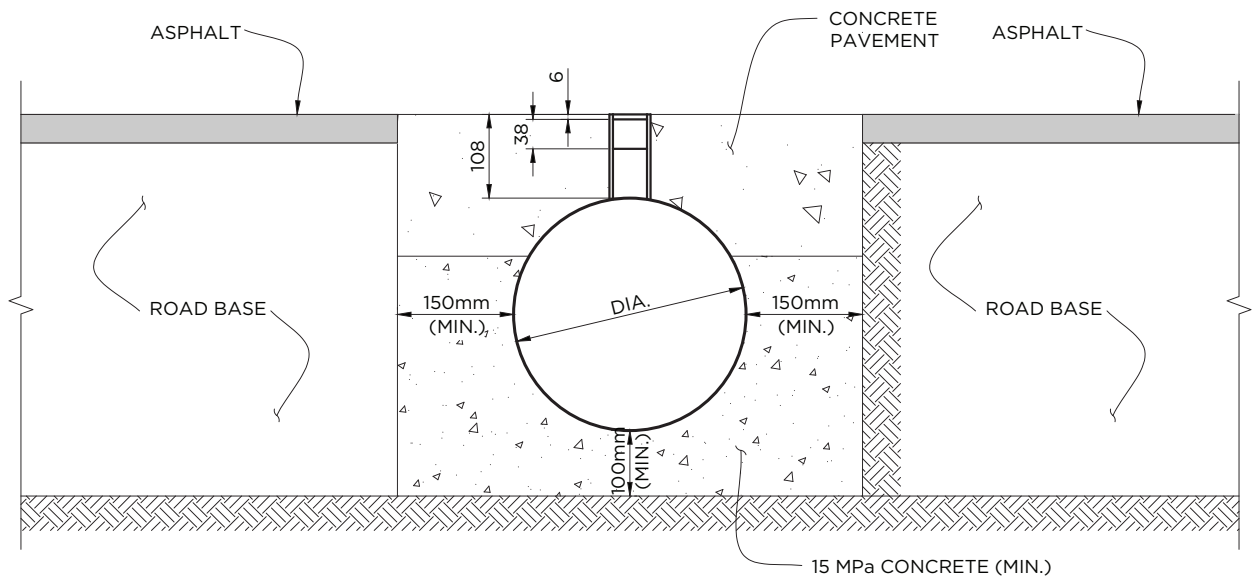
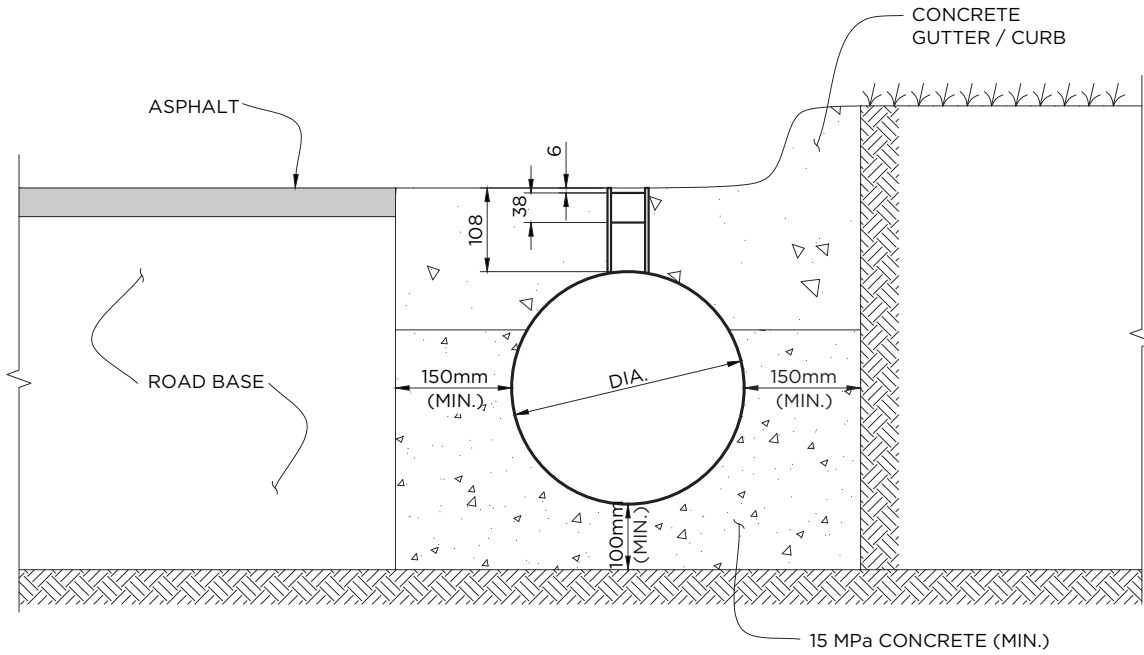


For installations with no slope, a variable height grate is also available with a maximum slope of 1% and maximum height of 400 mm.



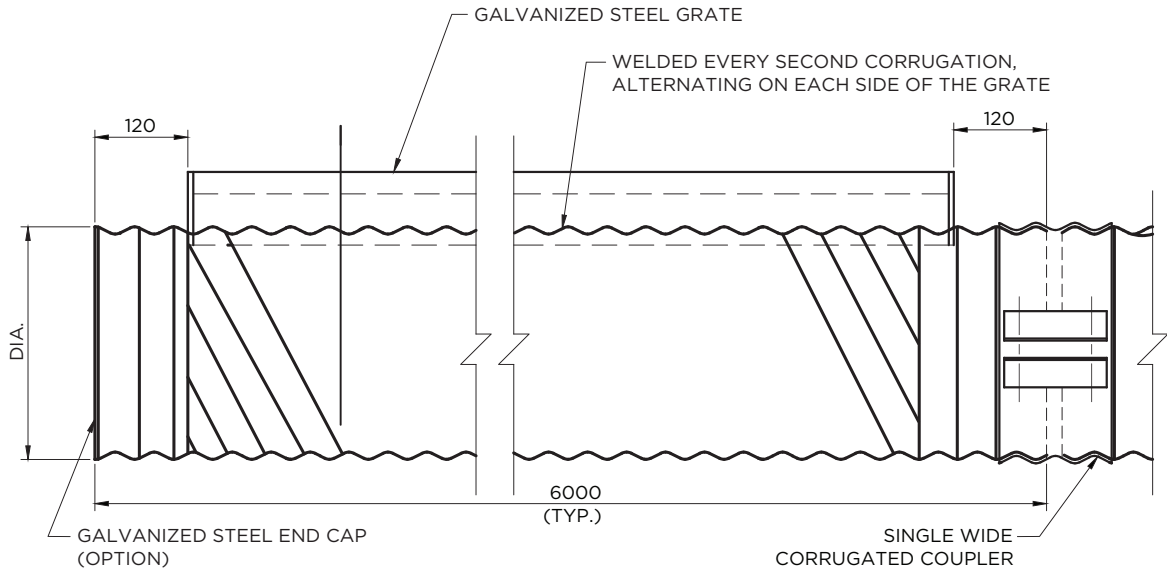
NOTE:
Technical drawings of type's 1, 2 and 3 can be found on pages 4 - 6.

Slotted Drain Installation

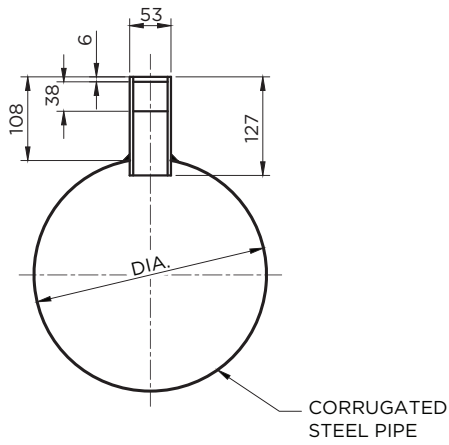


TYPICAL SECTIONS - SLOTTED DRAIN INSTALLATION

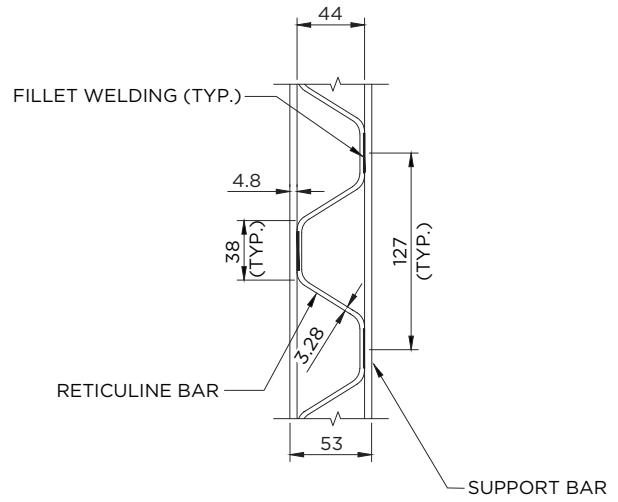
TYPE 1: One Grate Wide



ELEVATION



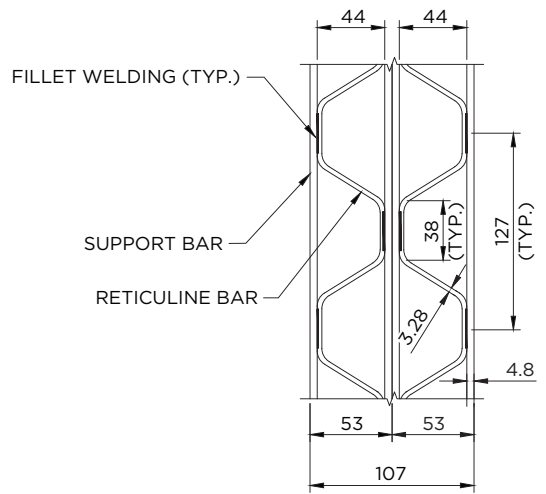
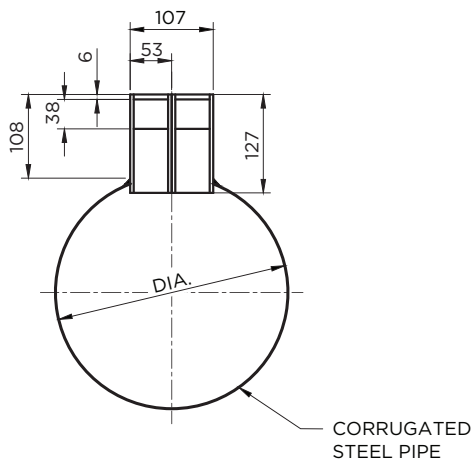
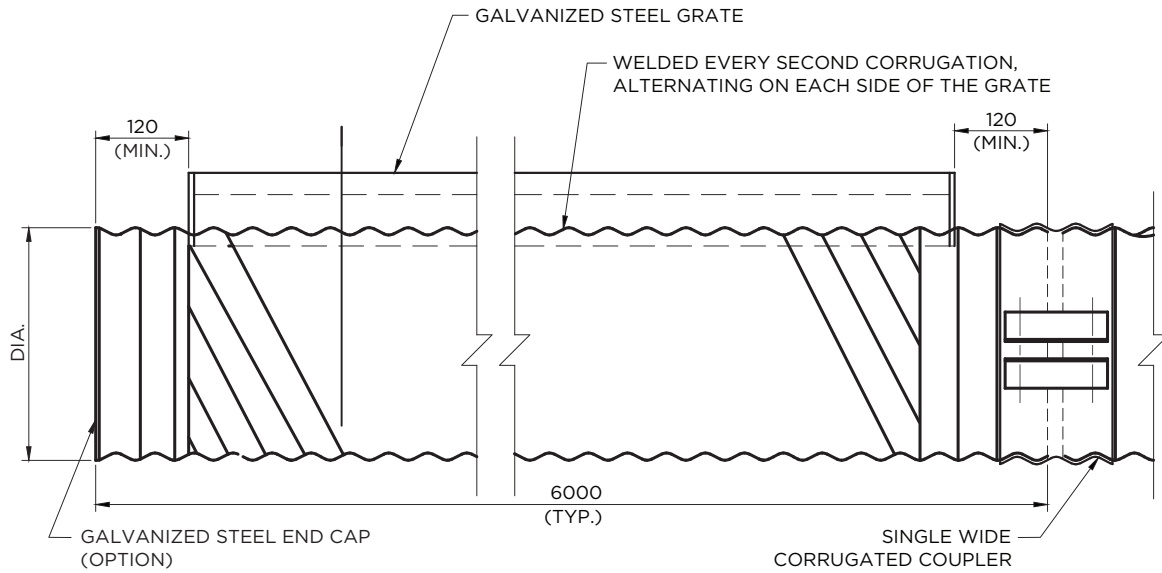
SECTION B



SECTION A

- NOTE:**
1. All dimensions are in millimetres unless otherwise noted
 2. Standard grate height, 127mm overall height. Custom heights available, maximum 400mm high

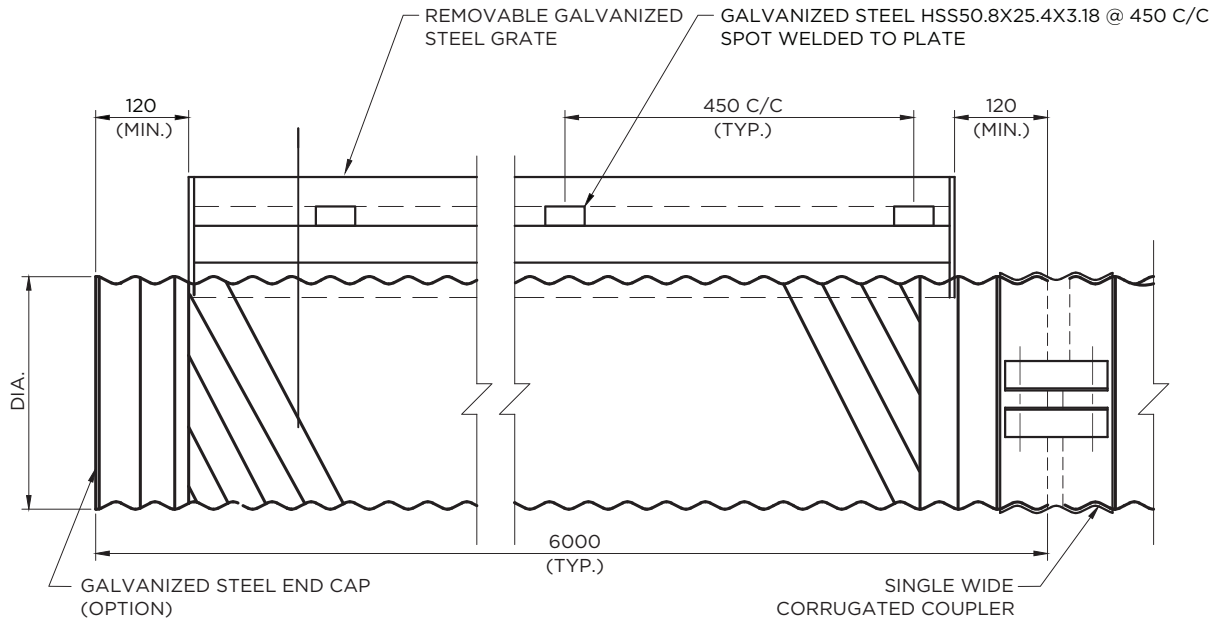
TYPE 2: Two Grate Wide



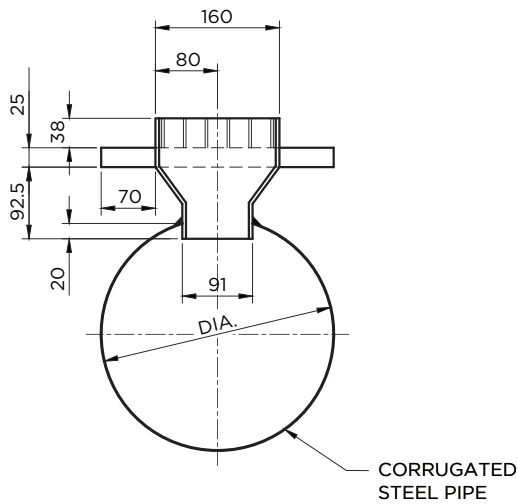
NOTE:

1. All dimensions are in millimetres unless otherwise noted
2. Standard grate height, 127mm overall height. Custom heights available, maximum 400mm high

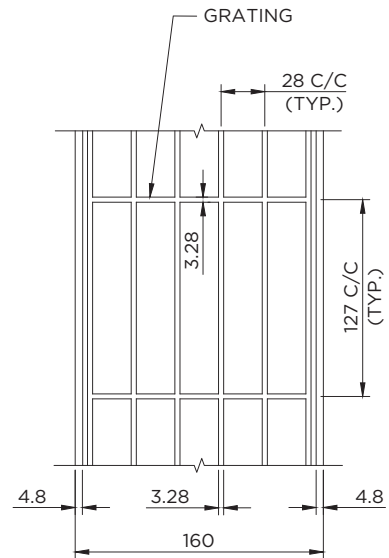
TYPE 3: Three Grates Wide



ELEVATION



SECTION B

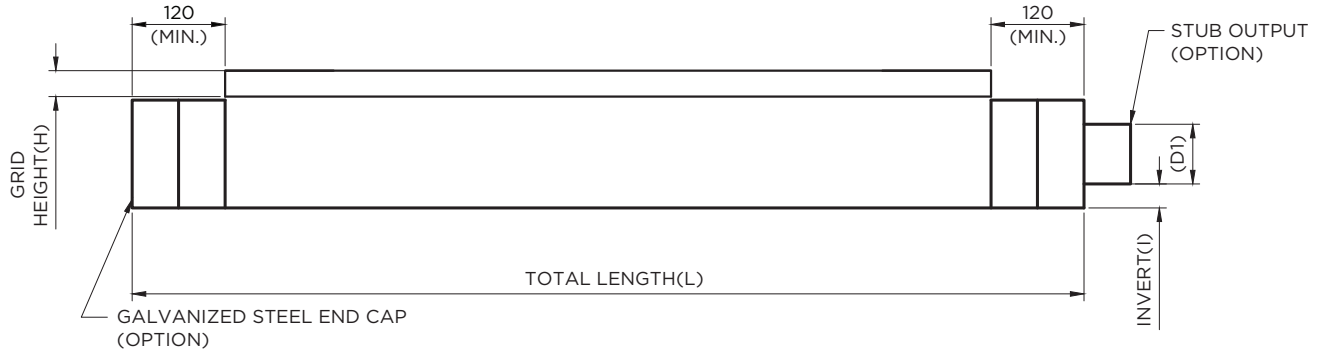


SECTION A

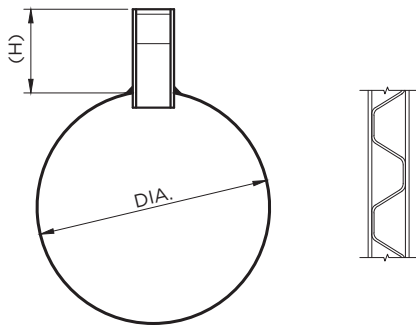
NOTE:

1. All dimensions are in millimetres unless otherwise noted
2. Standard grate height, 127mm overall height. Custom heights available, maximum 400mm high

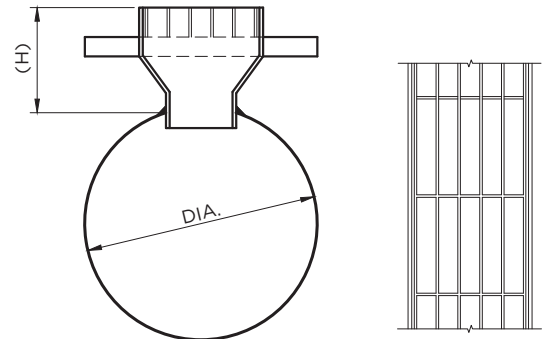
Slotted Drain



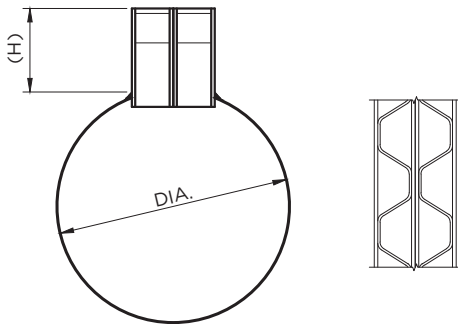
TYPE 1



TYPE 3 REMOVEABLE



TYPE 2



TOTAL LENGTH REQUIRED (L): _____

PIPE DIAMETER (TYP;300mm) (D): _____

THICKNESS OF PIPE: _____

COATING OF STEEL PIPE GALVANIZED OR ALUMINUMIZED TYPE II: _____

GRID HEIGHT (H): FIXED _____ VARIABLE (SLOPE): _____

STANDARD COUPLER: _____

END CAP, WELDED: _____ REMOVABLE: _____

OPENING FOR CLEANING 1 (IF REQUIRED) : 150mm _____ 365mm: _____

OPENING FOR CLEANING 2 (IF REQUIRED) : 150mm _____ 365mm: _____

CSP OUTLET STUB AT INVERT: _____ DIAMETER (D1): _____

ATLANTIC

Shediac, NB
Sackville, NB
Truro, NS
Bishop's Falls, NL
St. John's, NL

CENTRAL

Cambridge, ON
Comber, ON
Forest, ON
Guelph, ON
Orangeville, ON
Peterborough, ON
Sudbury, ON
Thunder Bay, ON
Walkerton, ON
Woodstock, ON
St-Augustin, QC
St-Clet, QC

PRAIRIES

Calgary, AB
Edmonton, AB
Grande Prairie, AB
Ponoka, AB
Redwater, AB
Winnipeg, MB
Regina, SK
Saskatoon, SK

WESTERN

Dawson Creek, BC
Genelle, BC
Langley, BC
Nanaimo, BC
Prince George, BC



Platinum member

Contact us today to learn more about Armtec's **Slotted Drain System**.
Call **1-800-565-1152** or visit **armtec.com**

